

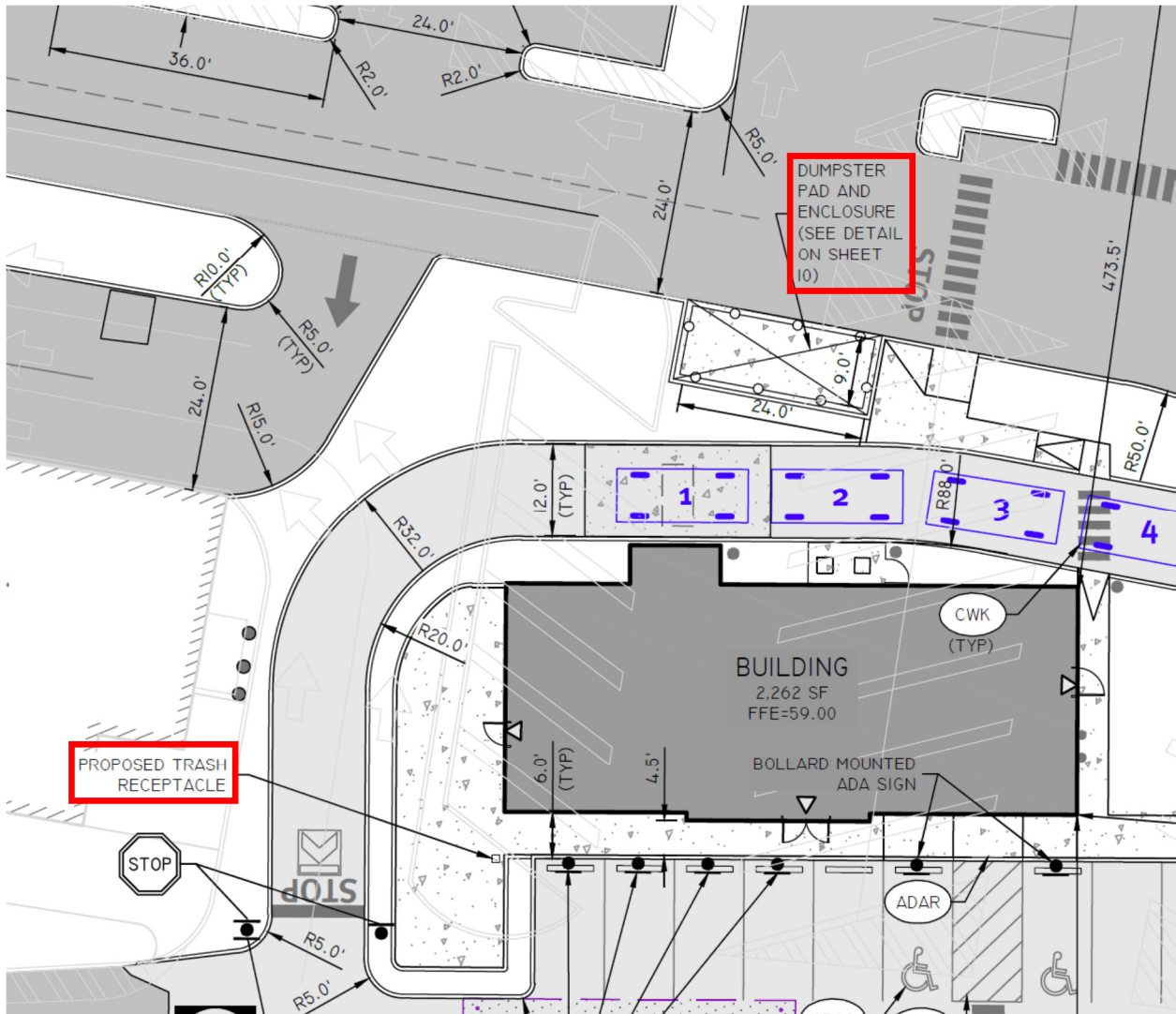
Aquidneck Shopping Centre

Trash and litter control plan | Starbucks drive-thru

July 7, 2022

The outline for handling and disposal of refuse generated by proposed Starbucks building is as follows:

1. The Owner shall provide a centralized dumpster enclosure to the rear of the proposed Starbucks building.
2. The Owner shall provide a trash receptacle within Starbucks patio for customer use.
3. The Tenant (Starbucks) will empty the trash receptacle as needed into the dumpster.
4. The Tenant (Starbucks) will contract an outside service to remove and dispose of their waste within the centralized dumpster enclosure multiple times per week.
5. All refuse collected from the Starbucks dumpster enclosure will be disposed of at a licensed facility.

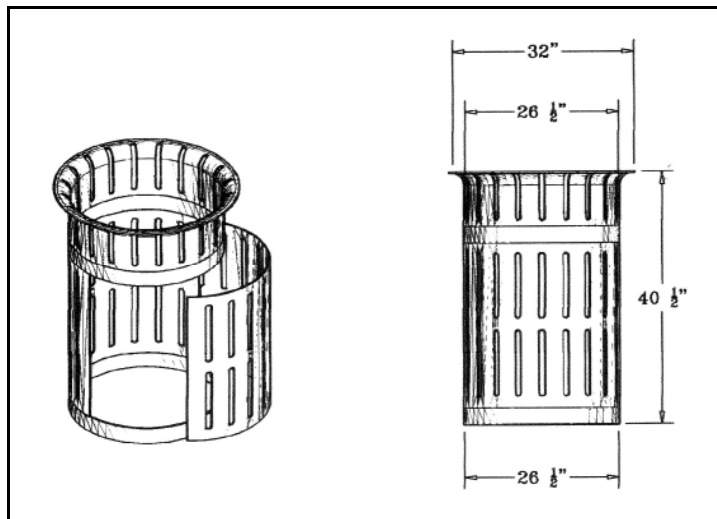




32 Metro Style Trash Receptacle With Hinged Side Door.

- 115 lbs.
- Ribbed polyethylene coated steel.
- Hinged side door for easy access.
- Priced with flat top with either 8" or 16" opening.
- Liner included.
- Mounting options available.

Item #: WC ME32



Receptacle Tops and Mounting

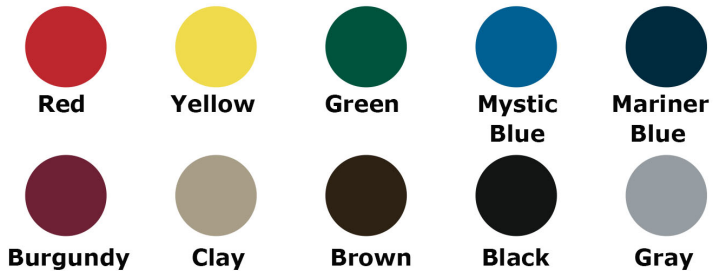


Dome Top Flat Top with Rain & Ash Bonnet

Textured Polyethylene Colors



Flat Top with 8" & 14" Opening



Surface & Inground Mounts

NATIONAL OUTDOOR FURNITURE, INC.
 1210 W. Main Street #296 Riverhead, NY 11901
 Toll-Free Phone: 1-888-663-4621
 Phone: 631-369-9099 Fax: 631-207-8312
 Email: nofinc@optonline.net
www.nationaloutdoorfurniture.com

NATIONAL OUTDOOR FURNITURE, INC.
 144 Murdock Road #325 Pomfret Center, CT 06259
 Toll-Free Phone: 1-888-516-8873
 Phone: 1-860-974-1551 Fax: 516-706-1901
 Email: nofinc@earthlink.net
www.nationaloutdoorfurniture.com