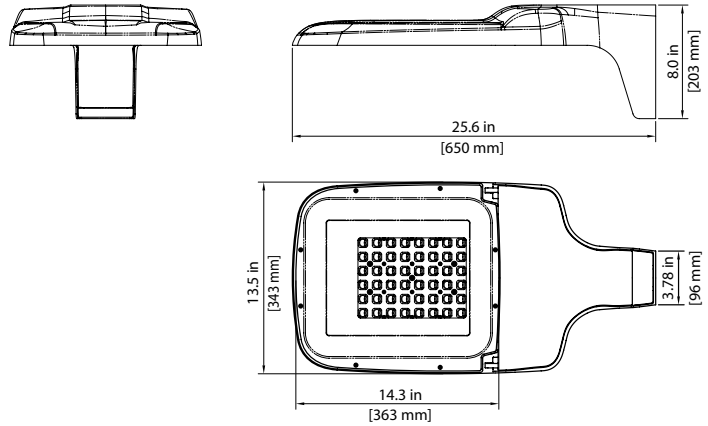


ARIETA® 13 Architectural LED Area Luminaire

AR13 N-Series Specification Data Sheet

Luminaire Data

Weight 15.4 lbs [7 kg]
EPA 0.47 ft²



Ordering Information

Sample Catalog No. AR13 48N MV NW 5 BK 190 MSL3

| Product | LED Code | Voltage | Nominal Color Temperature | Distribution | Finish ¹ | Output Code ² | Options |
|---------|----------|----------------------------|--|--|---|--------------------------|---|
| AR13 | 48N | MV 120-277V HV 347-480V | WW 3000K | 2 Type 2 3 Type 3 4 Type 4 5 Type 5 AFR Auto Front Row | BK Black DB Dark Bronze (RAL6022) DB1 Dark Bronze (RAL8019) WH White GY Gray NA Natural Aluminum | WW - 3000K | BLS ³ Back Light Shield (Factory Installed) |
| | | | | | | 030 | FOC ⁴ Fixed Output Code |
| | | | | | | 040 | PCR ⁵ NEMA Photocontrol Receptacle |
| | | | | | | 055 | PCR7 ⁵ ANSI 7-wire Photocontrol Receptacle |
| | | | | | | 080 | PCR7-CR ⁶ Control Ready 7-wire Photocontrol Receptacle |
| | | | | | | 100 | MSL7 ⁷ Motion Sensor with L7 Lens |
| | | 120 | MSL3 ⁷ Motion Sensor with L3 Lens | | | | |
| | | 150 | SP2 20kV/10kA Surge Protector | | | | |
| | | 170 | PND1 ⁸ Part-Night Dimming | | | | |
| | | 190 | PND2 ⁸ Part-Night Dimming | | | | |
| | | NW - 4000K CW - 5000K | 030 | PND3 ⁸ Part-Night Dimming | | | |
| | | | 040 | ORR Optics Rotated Right | | | |
| | 060 | ORL Optics Rotated Left | | | | | |
| | 080 | WL Utility Wattage Label | | | | | |
| | 100 | | | | | | |
| | 120 | | | | | | |
| | 160 | | | | | | |
| | 190 | | | | | | |
| | 200 | | | | | | |

1 Black, Dark Bronze, White, Gray, or Natural Aluminum standard. DB (RAL6022) is our original dark bronze. DB1 (RAL8019) is a new dark bronze option. Consult factory for other finishes. See page 2 for specifications.

2 Specified output code set at the factory set. Includes fixture mounted output selector that enables field adjustable light levels.

3 Flush mounted enhanced back light shield, factory installed.

4 No field adjustable output. Specified output code set at the factory.

5 Includes output selector that enables field adjustability of light levels. Field changeable connectors included to enable dimming connection to PCR7 (wireless node dimming is disabled by default).

6 Control-ready wired at factory for wireless node dimming. Output selector not included in fixture. Not able to adjust above specified drive current.

7 See L7 or L3 Lens coverage details on page 4. Consult factory for MS specified with ANSI 7-wire Photocontrol Receptacle. PCR option is required for On/Off control using light detection. Not available in HV.

8 For PND profile options see page 5. Only available with MV (120-277V).

9 Specify Color (GY, DB, DB1, BK, WH, NA)

10 Specify MV (120-277V) or HV (347V-480V)

| Accessories* | |
|--------------------|-------------------------------------|
| BLS | Enhanced Back Light Shield |
| RPA ⁹ | Round Pole Adapter |
| PTF1 ⁹ | Square Pole Top Fitter Single |
| PTF2 ⁹ | Square Pole Top Fitter Twin at 180° |
| PTF4 ⁹ | Square Pole Top Fitter Quad |
| WM ⁹ | Wall Mount |
| BSK | Bird Deterrent Spider Kit |
| LLPC ¹⁰ | Long-Life Twist Lock Photocontrol |
| SC | Twist Lock Shorting Cap |
| FSIR100 | Motion Sensor Configuration Tool |

*Accessories are ordered separately and not to be included in the catalog number

Luminaire Specifications

Housing

Die cast aluminum housing with universal mounting design allows for attachment to existing pole without redrilling for retrofit applications. Aluminum housing provides passive heat-sinking of the LEDs and has upper surfaces that shed precipitation. Mounting provisions meet 3G vibration per ANSI C136.31-2010 Normal Application, Bridge & Overpass. Electrical components are accessed without tools and are mounted on removable power door.

Light Emitting Diodes

Hi-flux/Hi-power white LEDs produce a minimum of 90% of initial intensity at 100,000 hours of life based on IES TM-21. LEDs are tested in accordance with IES LM-80 testing procedures. LEDs have correlated color temperature of 3000K, 4000K, or 5000K and 70 CRI minimum. LEDs are 100% mercury and lead free.

Field Adjustability

An output selector is supplied to adjust light output for local conditions (not available with PCR7-CR option). The specified output code will be factory set.

Quality Control

Every luminaire is performance tested before and after a 2-hour burn-in period. Assembled in the USA.

Optical Systems

Micro-lens optical systems are fully sealed to maintain an IP66 rating. Luminaire produces 0% total lumens above 90° (BUG Rating, U=0). Auto Front Row (AFR) optics are designed to enhance light levels at site perimeter while minimizing wattage and backlight. Optional enhanced Back Light Shield (BLS) is designed to meet strict light trespass and LEED requirements. Optics may be rotated right or left with options ORR/ORL, respectively

Electrical

Rated life of electrical components is 100,000 hours. Uses isolated power supply that is 1-10V dimmable. Power supply is wired with quick-disconnect terminals. Power supply features a minimum power factor of .90 and <20% Total Harmonic Distortion (THD). EMC meets or exceeds FCC CFR Part 15. Terminal block accommodates 6 to 14 gauge wire. Standard surge protection complies with IEEE/ANSI C62.41 and ANSI C136.2-2015, Enhanced (10kV/5kA). SP2 option provides Extreme level (20kV/10kA).

Controls

3-Wire photocontrol receptacle (PCR) is available. ANSI C136.41 7-wire (PCR7) photocontrol receptacles are available. All photocontrol receptacles have tool-less rotatable bases. Wireless control module is provided by others.

Finish

Housing receives a fade and abrasion resistant polyester powder coat finish with 3.0 mil nominal thickness. Finish tested to withstand 5000 hours in salt spray exposure per ASTM B117. Finish meets scribe creepage rating 8 per ASTM D1654. Finish tested 500 hours in UV exposure per ASTM G154 and meets ASTM D523 gloss retention.

Listings/Ratings/Labels

Luminaires are UL listed for use in wet locations in the United States and Canada. DesignLights Consortium™ Premium Classification qualified product. International Dark Sky Association listed. Luminaire is qualified to operate at ambient temperatures of -40°C to 40°C.

Photometry

Luminaires photometrics are tested by certified independent testing laboratories in accordance with IES LM-79 testing procedures.

Warranty

10-year limited warranty is standard on luminaire and components. 5-year limited warranty on luminaires and components with a motion sensor.

Standards

Luminaire complies with:
ANSI: C136.2, C136.3, C136.10, C136.13, C136.15, C136.22, C136.31, C136.35, C136.37, C136.41, C62.41, C78.377, C82.77
Other: FCC 47 CFR, IEC 60598, ROHS II, UL 1449, UL 1598

Color Specifications

| Order Code | Color | RAL # | Pantone Equivalent |
|------------|------------------|-------|--------------------|
| GY | Gray | 7040 | 429C |
| BK | Black | 9004 | 426C |
| DB | Dark Bronze | 6022 | BLACK 2C |
| DB1 | Dark Bronze | 8019 | 412 |
| WH | White | 9003 | 11-0601 |
| NA | Natural Aluminum | 9006 | N/A |

Performance Data 3000K

All data nominal. IES files are available at leotek.com.

| LED Code | Output Code | Drive Current (mA) | System Wattage (W) | Delivered Lumens (Lm) ¹ | Efficacy (Lm/W) | Field Adjustable Output Range ² |
|------------|-------------|--------------------|--------------------|------------------------------------|-----------------|--|
| 48N | 030 | 120 | 22 | 2970 | 135 | ↕ |
| | 040 | 170 | 29 | 4020 | 139 | |
| | 055 | 230 | 39 | 5500 | 141 | |
| | 080 | 350 | 52 | 7500 | 144 | |
| | 100 | 500 | 72 | 9930 | 138 | ↕ |
| | 120 | 620 | 88 | 12090 | 137 | |
| | 150 | 800 | 113 | 15020 | 133 | |
| | 170 | 940 | 138 | 17680 | 128 | |
| | 190 | 1050 | 149 | 19200 | 129 | |

Performance Data 4000K & 5000K

All data nominal. IES files are available at leotek.com.

| LED Code | Output Code | Drive Current (mA) | System Wattage (W) | Delivered Lumens (Lm) ¹ | Efficacy (Lm/W) | Field Adjustable Output Range ² |
|------------|-------------|--------------------|--------------------|------------------------------------|-----------------|--|
| 48N | 030 | 120 | 22 | 3160 | 144 | ↕ |
| | 040 | 170 | 29 | 4370 | 151 | |
| | 060 | 230 | 39 | 5900 | 151 | |
| | 080 | 350 | 52 | 7890 | 152 | |
| | 100 | 500 | 72 | 10900 | 151 | ↕ |
| | 120 | 620 | 88 | 12900 | 147 | |
| | 160 | 800 | 113 | 16600 | 147 | |
| | 190 | 940 | 138 | 19600 | 142 | |
| | 200 | 1050 | 149 | 20600 | 138 | |

- Notes:
- 1 Normal tolerance ± 10% due to factors including distribution type, LED bin variance, driver variance, and ambient temperatures.
 - 2 Performance codes available in two ranges for adjustable output as shown in performance data tables. Output set at factory to specified performance code.

Motion Sensor (Optional) Specifications

Description

Digital passive infrared luminaire integrated outdoor occupancy sensor provides high/low/off control based on motion detection. Initial setup and subsequent sensor adjustments are made using a handheld configuration tool. PCR option is required for On/Off control using light detection.

Operation

Standard factory setting will dim the luminaire to 50% until motion is sensed and then it will power to 100%. When motion is not detected for five minutes, the luminaire will dim back to 50%. Ramp up and fade down times are adjustable, but initially set to NONE. The percent dimming and time durations may be field adjusted as required using FSIR-100 configuration tool. FSIR-100 user guide available at: www.wattstopper.com.

Optical System

Multi-cell, multi-tier Fresnel lens with a 360 degree view detects unobstructed motion within one mounting height, up to 20 ft. maximum (MSL3) or 40 ft. maximum (MSL7). Consult factory for higher mounting height requirements.

Finish

Sensor exterior ring and lens are white polycarbonate, UV and impact resistant.

Listings/Ratings

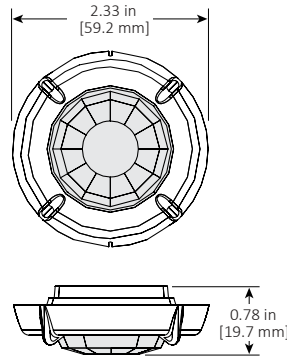
Sensor is TUV, UL and cUL listed, IP66 rated and CE compliant.

Warranty

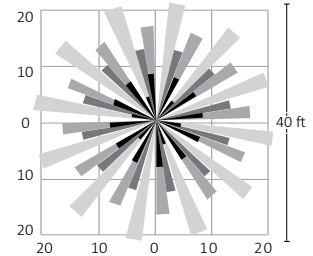
5-year limited warranty on luminaires and components with a motion sensor.

Motion Sensor (Optional) Data

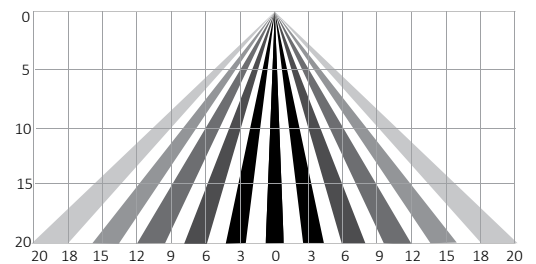
MSL3 Lens Dimensions



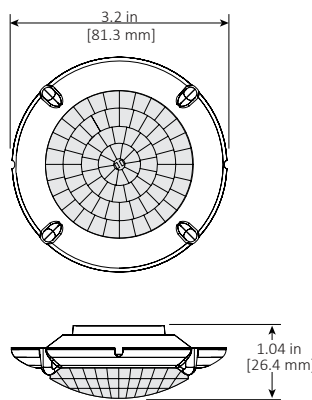
MSL3 Lens Coverage Top View



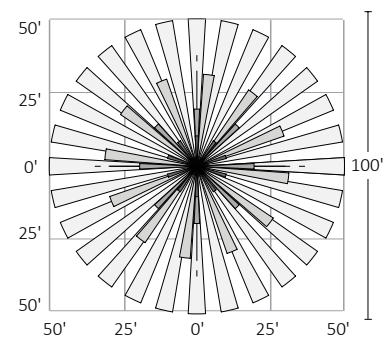
MSL3 Lens Coverage Side View



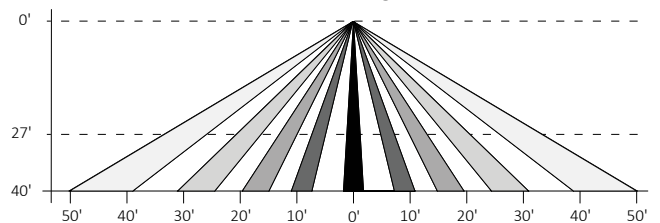
MSL7 Lens Dimensions



MSL7 Lens Coverage Top View



MSL7 Lens Coverage Side View



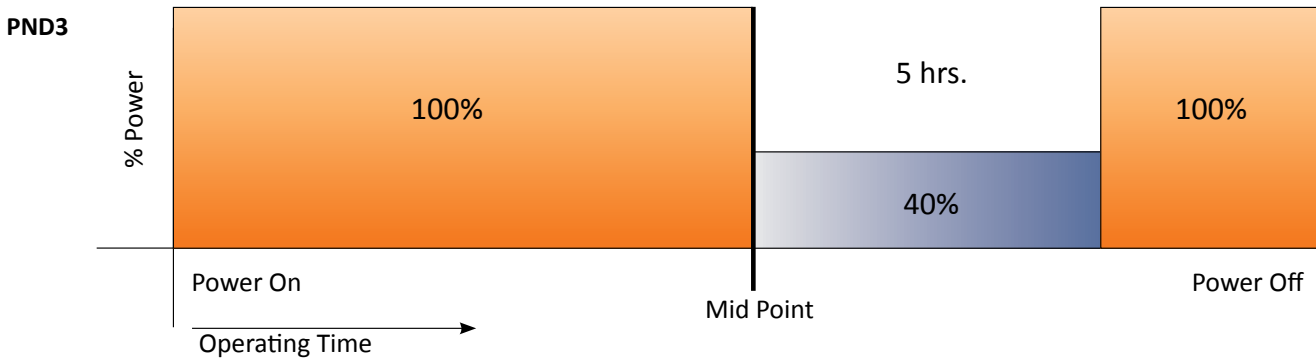
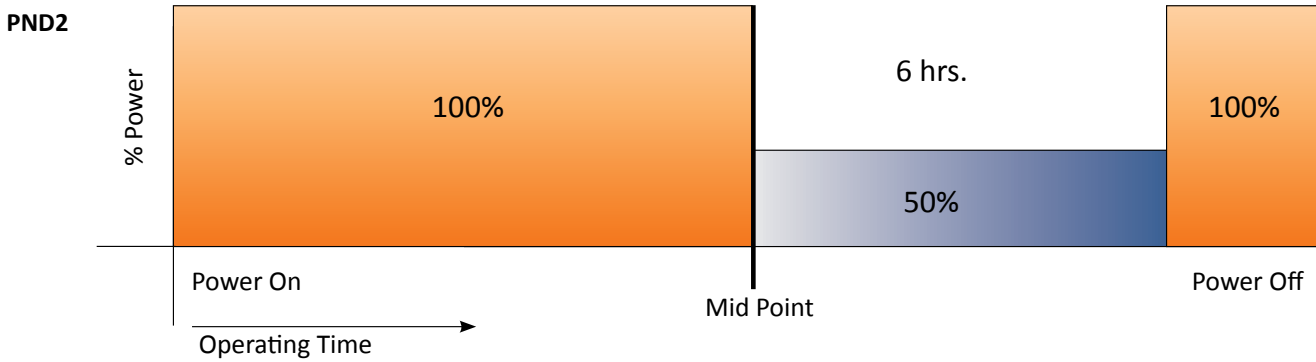
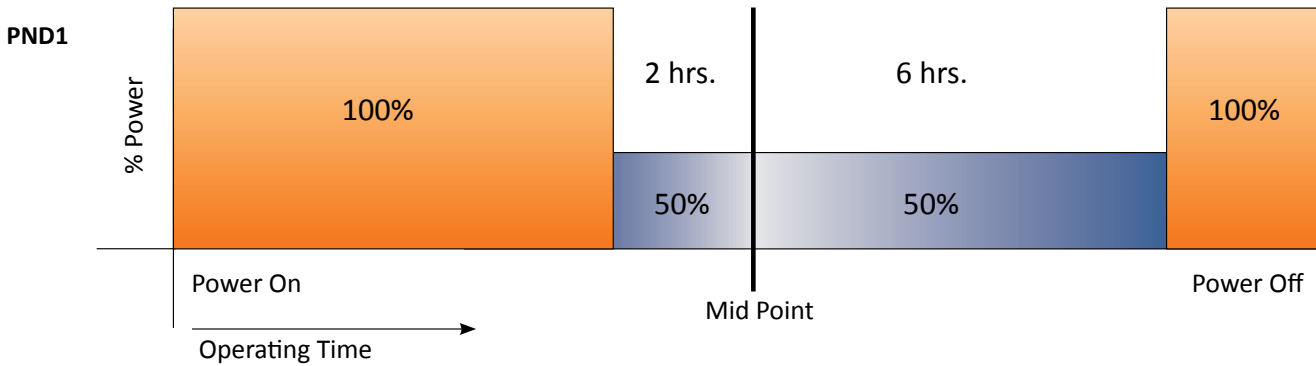
Part-Night Dimming Specifications

Description

Arieta’s Part-Night Dimming (PND) option enables significant energy savings by automatically dimming the luminaire during early morning hours when infrequent use is expected. Factory programmed dimming profiles automatically take into account seasonal changes based on geographical location by continuously monitoring the nighttime midpoint. PND does not provide power on/off control which is provided by external controls (example: time clock) or a photocontrol using PCR3 or PCR7 option. Dimming profile of PND option is not field adjustable.

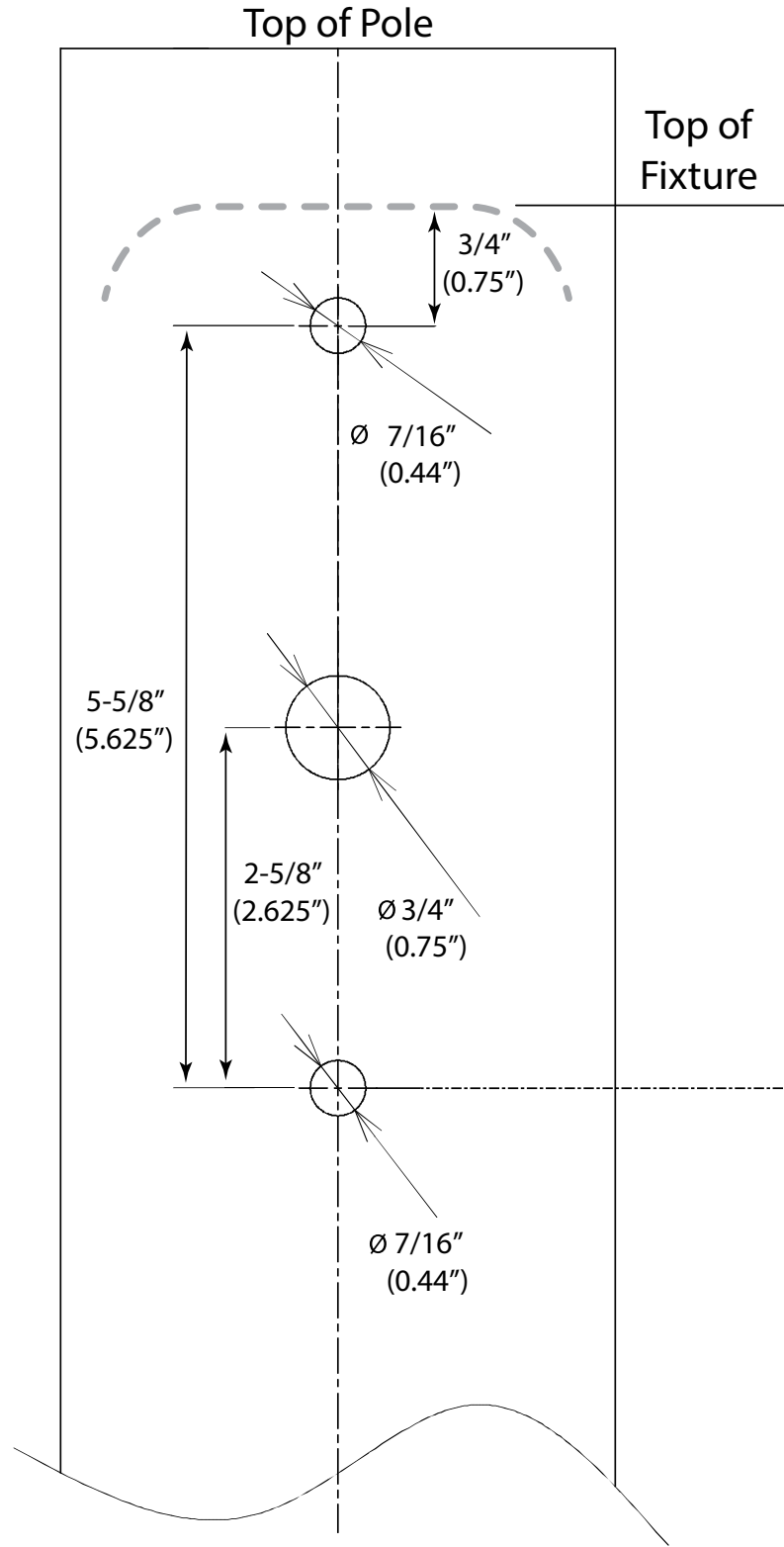
Operation

Based on the PND profile that is selected, the luminaire dims to the corresponding % power for the corresponding length of time (based on the nighttime mid-point) as shown below. Mid-point is continuously recalculated in the luminaire by monitoring the average length of time between when the light turns on (power on) and turns off (power off) over the previous two days. In effect, this functionality will take two days to initialize after installation before any dimming will occur. Power interruptions are ignored and do not affect the determination of mid-point. A motion sensor (MSL3 or MSL7) can be used with PND to temporarily override the dimming profile when motion is detected. Three factory programmed PND profiles are available for selection:



**Pole Mount Drilling Dimensions
for New Construction**

For more details, consult
the Arieta Installation Guide

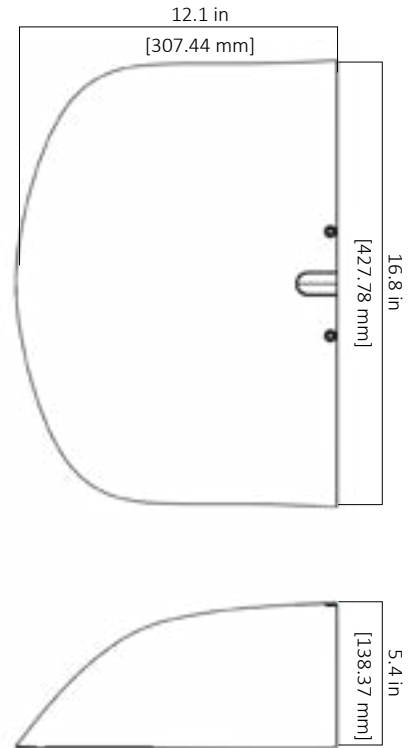


**Mounting Pole Drilling Dimensions
for New Construction**

Eseta™ LED Wall Sconce ES1

Luminaire Data

Weight 9.9 lbs [4.5 kg]
14.6 lbs [6.5kg] with EM, MS options



Ordering Information

Sample Catalog No. ES1 24H MV NW W BK 700 EM

| Product | No. & Type of LEDs | Voltage | Color Temperature ¹ | Distribution | Finish ² | Drive Current ³ | Options |
|---------|--------------------|-------------|--------------------------------|----------------------------|---|----------------------------|---|
| ES1 | 24H 48H | MV 120-277V | WW 3000K | W Wide FT Forward Throw | BK Black DB Dark Bronze GY Gray WH White | 350 350mA | PC ⁶ Photo Control MSL2 Motion Sensor, L2 Lens MSL3 ⁴ Motion Sensor, L3 Lens EM ⁵ Emergency Battery System - Cold Weather Rated (-20°C/ -4°F) FSIR100 Motion Sensor Configuration Tool |
| | | HV 347-480V | NW 4000K | | | 530 530mA | |
| | | | CW 5000K | | | 700 700mA | |

Notes

- Consult factory for other color temperatures.
- Consult factory for non-standard finish options. See page 2 for specifications.
- Factory set drive current, non-field adjustable. 700mA is not available for 48H version. Refer to performance data on page 2. Consult factory for other drive current options.
- Motion Sensor available with MV only. Motion Sensor default setting dims luminaire to 50% when no motion is detected for 5 minutes. Field adjustable settings available using FSIR100 option.
- Emergency Battery System available with MV only. 3-year limited warranty on Emergency Battery System.
- Available with MV. For HV specify either 347V or 480V.

Eseta™ LED Wall Sconce

ES1

Luminaire Specifications

Housing

Die cast aluminum housing with back mounting plate and outdoor rated cable. Back mounting plate includes novel hanging features to allow one-person installation. Knockouts on the top and bottom of the housing allow conduit entry. Electrical components are accessed behind gasketed optical cover.

Light Emitting Diodes

Hi-flux/Hi-power white LEDs are tested in accordance with IES LM-80 testing procedures. Warm White (3000K), Neutral White (4000K) and Cool White (5000K) with minimum 70 CRI are standard. LEDs are 100% mercury and lead free.

Optical Systems

The OMNILENS™ system creates a low brightness source to reduce glare with precise Wide or Forward Throw distributions. Lens cover is UV stabilized, vandal-resistant polycarbonate. Luminaire produces 0% total lumens above 90° (BUG Rating, U=0).

Electrical

Power supply features a minimum power factor of .90 and <20% Total Harmonic Distortion (THD). EMC meets or exceeds FCC CFR Part 15. Transient voltage complies with ANSI C62.41 Cat. A. Integral surge protector is tested per ANSI/IEEE C62.45 procedures based on ANSI/IEEE C62.41.2 definitions for standard and optional waveforms for Location Category C High.

Finish

Housing receives a fade and abrasion resistant epoxy polyester powder coat. Finish tested to withstand 5000 hours in salt spray exposure per ASTM B117. Finish tested 5000 hours in UV exposure per ASTM G154 and meets ASTM D523 gloss retention.

Listings/Ratings/Labels

Luminaires are UL listed for use in wet locations and emergency lighting in the United States and Canada. Ambient operating temperature is -40°C to 40°C with non-EM unit. Entire fixture maintains an IP66 and IK10 rating. DesignLights Consortium™ 3000K, 4000K and 5000K qualified product. Assembled in the United States.

Photometry

Luminaires are photometrically tested by certified independent testing laboratories in accordance with IES LM-79 testing procedures.

Lumen Maintenance

| Models | TM-21 Lumen Maintenance (hours) at 25°C | |
|---------|---|------------|
| | At 50,000 | At 100,000 |
| ES1-24H | 99% | 97% |
| ES1-48H | 97% | 93% |

Warranty

10-year limited warranty is standard on luminaire and components. 5-year limited warranty on motion sensor and photo control. 3-year limited warranty on Emergency Battery System.

Color Specifications

| Order Code | Color | RAL # | Pantone Equivalent |
|------------|------------------|-------|--------------------|
| GY | Gray | 7040 | 429C |
| BK | Black | 9004 | 426C |
| DB | Dark Bronze | 6022 | BLACK 2C |
| DB1 | Dark Bronze | 8019 | 412 |
| WH | White | 9003 | 11-0601 |
| NA | Natural Aluminum | 9006 | N/A |



Eseta™ LED Wall Sconce

ES1

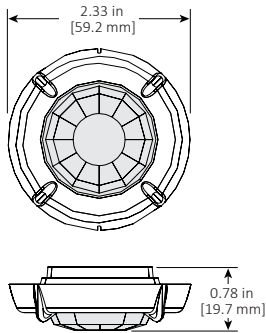
Performance Data

All data nominal, consult factory for IES files or LM-79 reports.

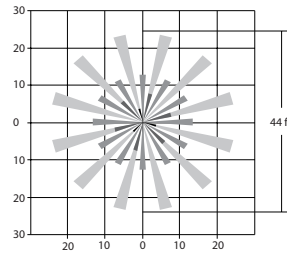
| CCT | Two Distributions | | Wide Distribution | | | Forward Throw Distribution | | |
|-------|--------------------|--------------------|--------------------|-----------------------|-----------------|----------------------------|-----------------------|-----------------|
| | No. of LEDs & Type | Drive Current (mA) | System Wattage (W) | Delivered Lumens (Lm) | Efficacy (Lm/W) | System Wattage (W) | Delivered Lumens (Lm) | Efficacy (Lm/W) |
| 3000K | 24H | 350 | 29 | 3621 | 125 | 29 | 3618 | 125 |
| | | 530 | 45 | 5265 | 117 | 43 | 5203 | 119 |
| | | 700 | 57 | 6421 | 113 | 57 | 6516 | 114 |
| | 48H | 530 | 83 | 8826 | 106 | 81 | 8751 | 108 |
| 4000K | 24H | 350 | 29 | 3944 | 136 | 30 | 4050 | 136 |
| | | 530 | 45 | 5580 | 124 | 43 | 5418 | 126 |
| | | 700 | 58 | 6957 | 120 | 58 | 7023 | 121 |
| | 48H | 530 | 82 | 8707 | 106 | 83 | 8466 | 102 |
| 5000K | 24H | 350 | 29 | 3730 | 130 | 30 | 3922 | 132 |
| | | 530 | 44 | 5131 | 118 | 43 | 5139 | 119 |
| | | 700 | 58 | 6521 | 112 | 56 | 6260 | 112 |
| | 48H | 530 | 82 | 9839 | 120 | 84 | 9585 | 115 |

Eseta™ LED Wall Sconce ES

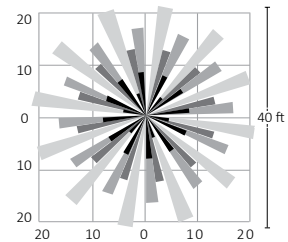
Motion Sensor (Optional) Data



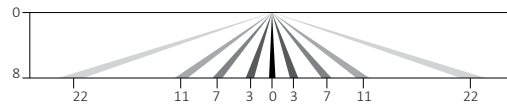
L2 Lens Coverage Top View



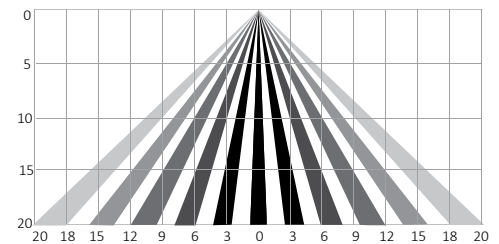
L3 Lens Coverage Top View



L2 Lens Coverage Side View



L3 Lens Coverage Side View



Motion Sensor (Optional) Specifications

Description

Digital passive infrared luminaire integrated outdoor occupancy sensor provides high/low/off control based on motion. Initial setup and subsequent sensor adjustments are made using a handheld configuration tool.

Operation

Standard factory setting will dim the luminaire to 50% until motion is sensed and then it will power to 100%. When motion is not detected for five minutes, the luminaire will dim back to 50%. Ramp up and fade down times are adjustable, but initially set to NONE.

The percent dimming and time durations may be field adjusted as required using FSIR100 option. FSIR user guide available at: www.wattstopper.com.

Optical System

Multi-cell, multi-tier Fresnel lens with a 360 degree view detects unobstructed motion. L2 lens is designed for a mounting height up to 8 feet and detects motion up to 3 times mounting height. L3 lens is designed for a mounting height up to 20 feet and detects motion within one mounting height.

Finish

Sensor exterior ring and lens are white polycarbonate, UV and impact resistant.

Listings/Ratings

Sensor is TUV, UL and cUL listed, IP66 rated and CE compliant.

Warranty

5-year limited warranty on luminaires and components with a motion sensor.

Emergency Battery System (Optional) Specifications

Description

Emergency battery system option provides a nominal 2300 lumens for a minimum of 90 minutes and can be specified with motion sensor option. Test switch and charging indicator light are visible and accessible on the optical cover.

Listings/Ratings/Labels

Emergency LED driver and batteries are UL recognized and CSA certified. Emergency illumination time exceeds the National Electrical Code (NEC), Life Safety Code (NFPA-LSC), National Building Code of Canada (NBC), National Fire Code of Canada (NFC) and UL 90-minute requirements.

Warranty

3-year limited warranty on Emergency Battery System.

Temperature Rating

Ambient operating temperature is -20C to +60C.