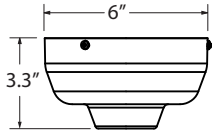




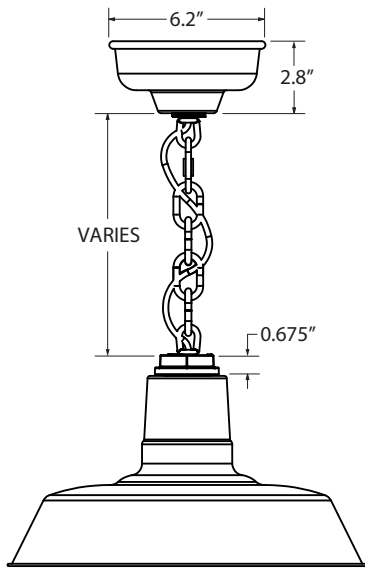
**MOUNTING STYLE**

**HIGH LUMEN CANOPY FOR PENDANT & FLUSH MOUNT**



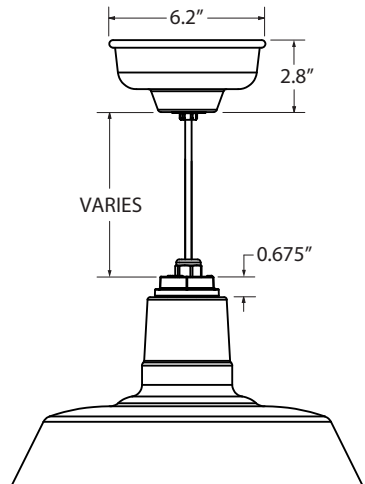
Required if LED 27, 38, 43 Light Source selected in Section J

**CHAIN HUNG PENDANT (CN)**



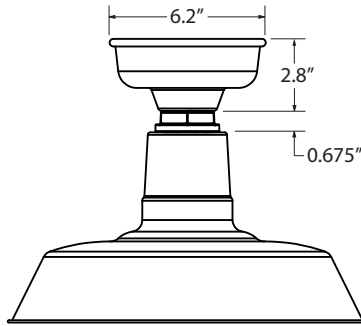
Canopy shown required if LED 11 & 16 Light Source selected in Section J

**CORD HUNG PENDANT (C)**



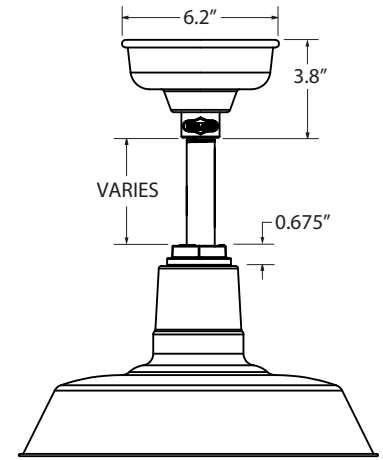
Canopy shown required if LED 11 & 16 Light Source selected in Section J

**FLUSH MOUNT (F)**



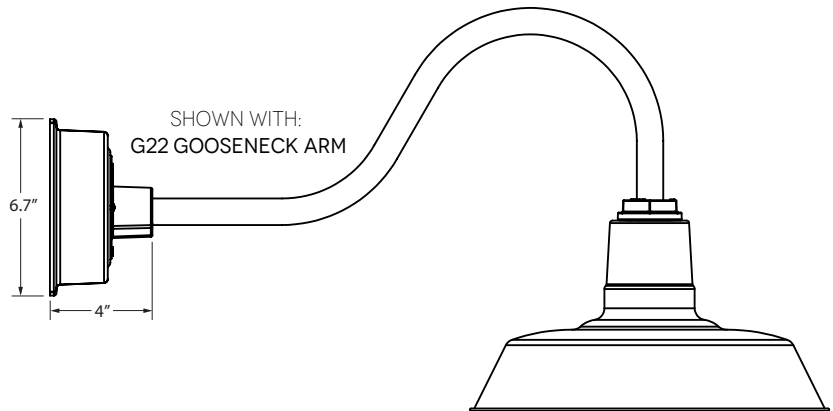
Canopy shown required if LED 11 & 16 Light Source selected in Section J

**STEM MOUNT PENDANT (S)**

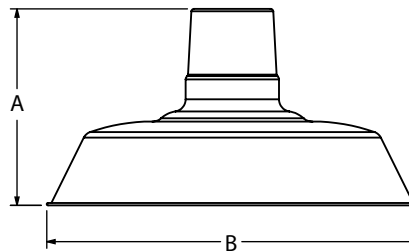


Canopy shown required if LED 11 & 16 Light Source selected in Section J

**GOOSENECK (G)**



**LUMINAIRE DIMENSIONS**



SHADE CODE	HEIGHT (A)	DIAMETER (B)
WHS12	7"	12"
WHS14	7.5"	14"
WHS16	7.75"	16"
WHS18	8.5"	18"
WHS20	9.25"	20"

**LIGHT SOURCE**

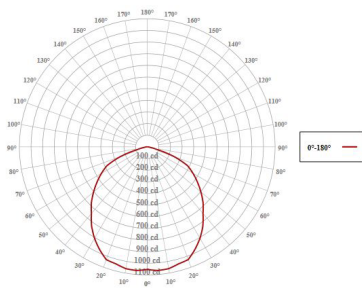
All published luminaire photometric testing performed to IESNA LM-79-08 standards by a NVLAP accredited laboratory. Data is considered to be representative of the configurations shown, within the tolerances allowed by Lighting Facts. To obtain an IES file specific to your project, please contact the factory.

	LUMENS		850		1250		2000		3000		4000	
	Wattage		11		16		27		38		43	
	Optics	Lumens	LPW	Lumens	LPW	Lumens	LPW	Lumens	LPW	Lumens	LPW	
WHS12	FLAT	846	74	1244	78	1997	74	2996	79	3995	93	
	DOMED	824	72	1212	76	1936	72	2904	76	3872	90	
WHS14	FLAT	845	74	1243	77	1982	73	2973	78	3964	92	
	DOMED	823	72	1210	75	1904	71	2856	75	3808	88	
WHS16	FLAT	845	74	1243	77	1982	73	2973	78	3964	92	
	DOMED	822	72	1209	75	1902	70	2854	75	3805	88	
WHS18	FLAT	843	74	1240	77	1978	73	2967	78	3956	92	
	DOMED	819	72	1204	75	1895	70	2843	75	3791	88	
WHS20	FLAT	841	74	1237	77	1973	73	2959	78	3945	91	
	DOMED	815	72	1199	75	1887	70	2830	74	3773	87	

\*Acrylic Diffuser option reduces lumens delivered and LPW

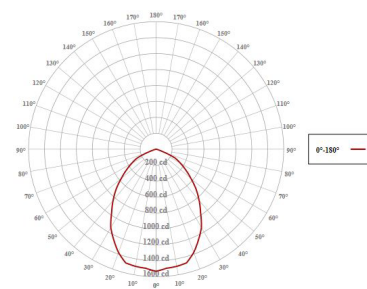
**LIGHT DISTRIBUTION**

DOMED LENS (DL)

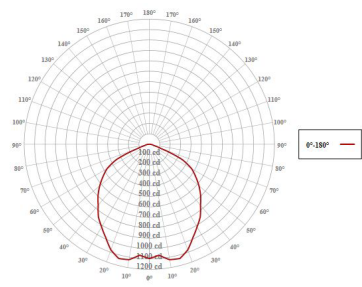


Shown above with 16" Shade (WHS16), White Interior (200-White) and 3000 Lumen (LED38)

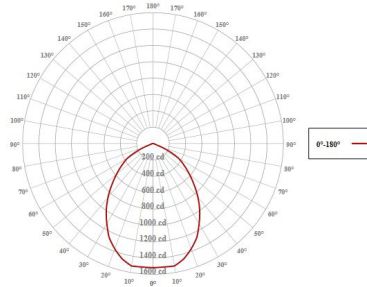
FLAT LENS (FL)



Shown above with 16" Shade (WHS16), White Interior (200-White) and 3000 Lumen (LED38)



Shown above with 20" Shade (WHS20), White Interior (200-White) and 3000 Lumen (LED38)



Shown above with 20" Shade (WHS20), White Interior (200-White) and 3000 Lumen (LED38)

**SPECIFICATIONS**

**CERTIFICATIONS, LISTINGS & WARRANTY**

MADE IN THE USA  
 Manufactured and Hand-Crafted in Our 60,000 Square Foot Facility  
 Located in Titusville, FL

CSA LISTED FOR WET LOCATIONS  
 Includes All Gooseneck, Stem and Flush Mounting Styles  
 Acrylic Diffuser is CSA Listed for Damp Locations for Gooseneck  
 and Stem Mounting Styles

CSA LISTED FOR DAMP LOCATIONS  
 Includes All Chain and Select Cord Hung Mounting Styles  
 Acrylic Diffuser is CSA Listed for Damp Locations for Chain and  
 Cord Hung Mounting Styles

LIMITED WARRANTY  
 For Additional Information on Our Limited Warranty, Please See  
 Our Terms & Conditions

OPERATING TEMPERATURE  
 -30°C to 40°C

**CONSTRUCTION & FINISH**

POWDER COAT SHADE  
 Hand-Spun from High Purity 3003-O Temper Aluminum

GALVANIZE SHADE  
 Hand Spun from High Quality Galvanized Steel

PORCELAIN SHADE  
 Hand-Spun from 20 Gauge Porcelain Steel

POWDER COAT FINISHES  
 Polyester Powder Coat Finishes Are Electro-Statically Applied and  
 Thermocured

PORCELAIN FINISHES  
 Applied by Hand and Fired in a High Temperature Oven

COPPER  
 Hand-Spun from High Purity C11000-O60 ETP Copper

BRASS  
 Hand-Spun from High Purity C2600-O60 Brass

STEM  
 1/2" Nominal (0.84" Actual) or 3/4" Nominal (1.05" Actual) Sch 40,  
 6063 Aluminum Mounting Stem. Custom Lengths Available upon  
 Request.

GOOSENECK  
 1/2" Nominal (0.84" Actual) or 3/4" Nominal (1.05" Actual) Sch 40,  
 6063 Aluminum Gooseneck

CORD  
 Cord-Hung Pendants Include 7' of Standard Cord or 5' of Cloth  
 Cord, +/- For Socket Orientation

CHAIN  
 4-Gauge Chain Complete with Quick Link for On-Site Adjustments  
 to Chain's Length

**LED LIGHT SOURCE**

LED TYPE: CREE LMH2 MODULE  
 INITIAL LUMENS DELIVERED: UP TO 4000 LUMENS  
 L90(6K) > 36,300 HOURS  
 AVAILABLE CCT: 2700K, 3000K, 3500K, 4000K  
 Custom Temperatures Available upon Request  
 90+ CRI  
 2 STEP MACADAMS ELLIPSE  
 EFFICACY: UP TO 93 LPW  
 High Efficacy Available upon Request, Consult Factory for  
 Additional Information

**ELECTRICAL/LED DRIVER**

DRIVER TYPE: ERP ESS/T & ESP/T  
 POWER FACTOR > 0.9  
 EFFICIENCY: UP TO 87% TYPICAL  
 INPUT VOLTAGE: 120-277 VAC (SEE DIMMING SECTION)  
 CLASS 2 POWER SUPPLY  
 LED DRIVER LIFETIME: > 100,000 HOURS (@ 25 DEG C AMBIENT)  
 IP64 MINIMUM RATING CASE WITH SILICONE-BASED POTTING  
 PROTECTIONS  
 Output Open Load, Over-Current and Short-Circuit (hiccup), and  
 Over-Temperature with Auto Recovery  
 CONDUCTED AND RADIATED EMI  
 Compliant with FCC CFR Title 47 Part 15 Class B (120 Vac), Class A  
 (277 Vac) and EN55015 (CISPR 15) at 220, 230 and 240 Vac  
 COMPLIANT WITH  
 Complies with Energy Star® DLR (DesignLight Consortium®) and CA  
 Title 24 Technical Requirements

**DIMMING**

TRI-MODE DIMMING™  
 Compatible with TRIAC (forward-phase or leading-edge), ELV  
 (reverse-phase or trailing-edge) and 0-10 V Dimmers  
 DIMMING RANGE 1-100%  
 The Dimming Range Is Dependent on Each Specific Dimmer. May  
 Not Be Able to Achieve 1% Dimming with Some Dimmers.  
 TRIAC AND ELV DIMMING ONLY AT 120 VAC  
 ELV DIMMING AT 230 VAC  
 Available by Request  
 COMPATIBLE DIMMERS  
 Consult Factory for Additional Information on Dimming